

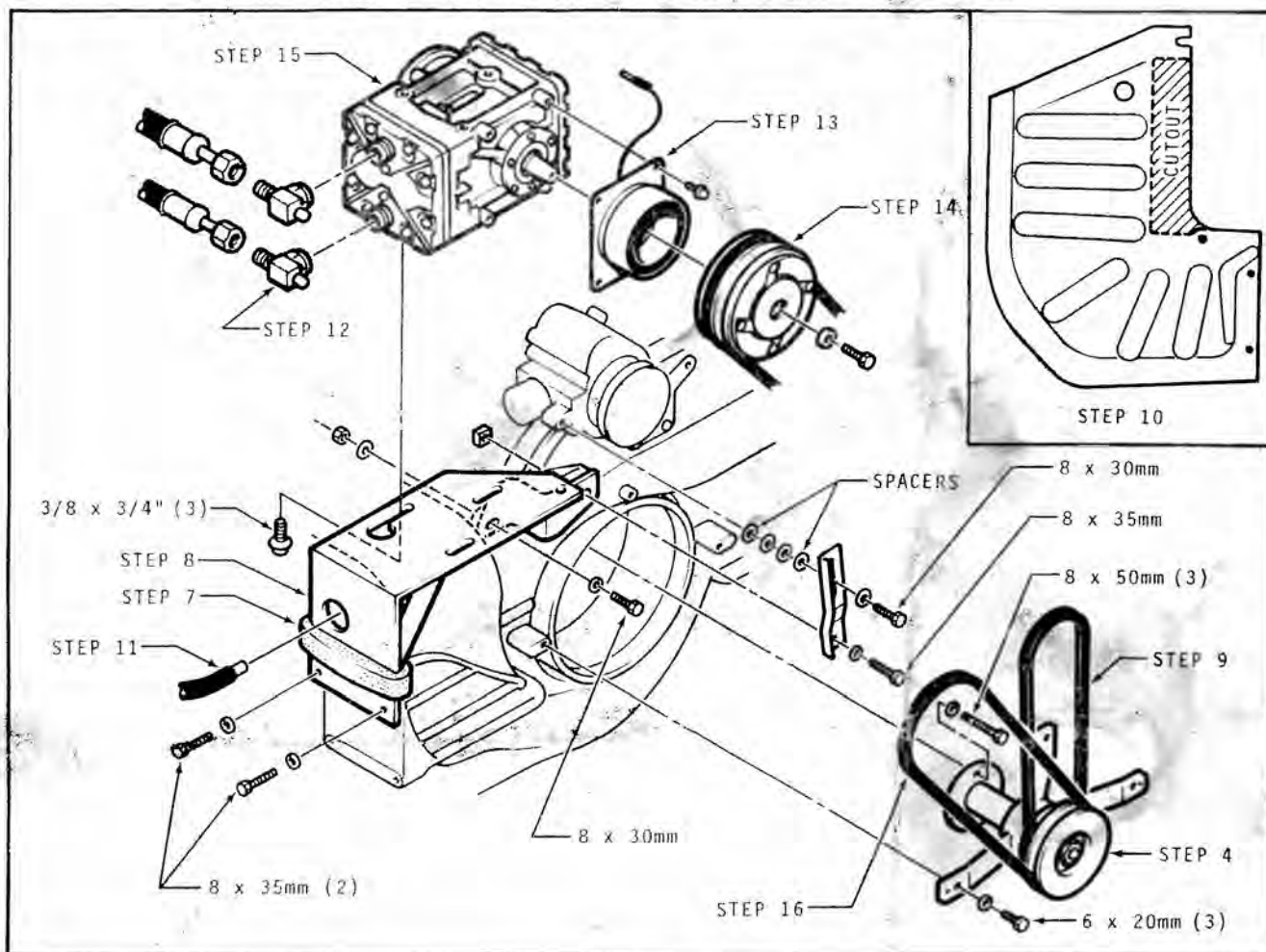


1976 PORSCHE 912 ZPW 203 912

Air Conditioner Installation Instructions

©1975 Volkswagen Products Corporation

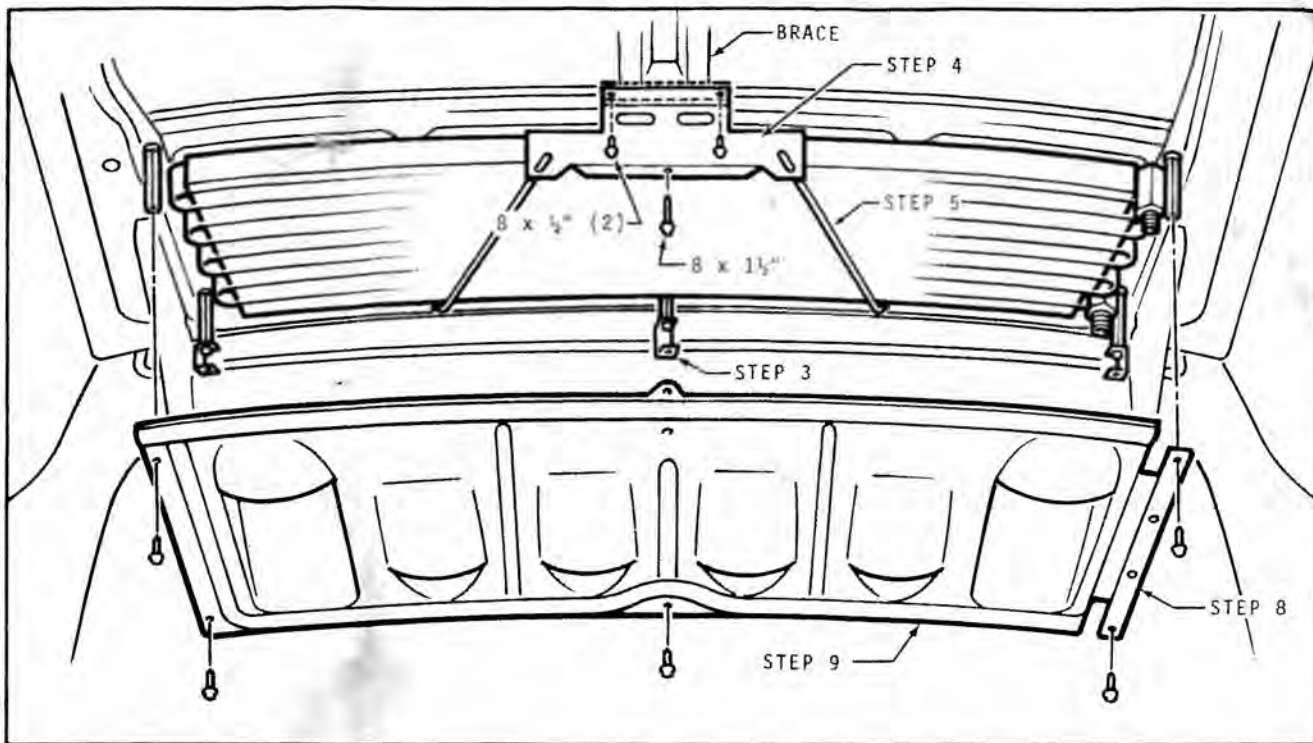
ENGINE COMPARTMENT (COMPRESSOR & PULLEY)



- 1 - Disconnect battery.
- 2 - Remove air pump adjustment bracket and belt. Save nut.
- 3 - Remove and discard air pump pulley assembly.
- 4 - Install new air pump pulley assembly along with timing scale. Use three 8mm x 50 mm bolts and original washers at impeller. Use three 6mm x 20mm bolts and lockwashers on pulley mount.
- 5 - Disconnect wire and remove sheetmetal panel on left side of engine.
- 6 - Disconnect air hose on left side of fan housing.
- 7 - Install polyfoam tape on compressor mount as shown.
- 8 - Install compressor mount. Use two 8mm x 35mm bolts and lockwashers on left. Use 8mm x 30mm bolt, lockwasher, 8mm nut and flatwasher in middle. Use 8mm x 35mm bolt, lockwasher and original nut at air pump bracket. Tighten two bolts on left end first.
- 9 - Reinstall air pump belt in rear pulley groove. Resecure air pump bracket with 8mm x 35 mm bolt, original flatwasher and three or four spacer washers as required. Retension belt to original specifications.
- 10 - Modify panel removed in step 5. Then reinstall it and reconnect wire.
- 11 - Reconnect air hose removed in step 6.
- 12 - Install service valves pointed towards rear of compressor.
- 13 - Install clutch holding coil.
- 14 - Wipe grease from compressor shaft and loosely install clutch pulley.
- 15 - Loosely install 3/8 x 3/4" bolt in top left rear corner of compressor (viewed from front). Then lay it on mount with bolt head through keyhole.
- 16 - Slide compressor all the way to right. Install compressor belt on drive pulley and rear clutch groove.
- 17 - Loosely install other two 3/8 x 3/4" bolts in compressor. Slide compressor to left using pry hole. Tension belt to 100 pounds and tighten all bolts.

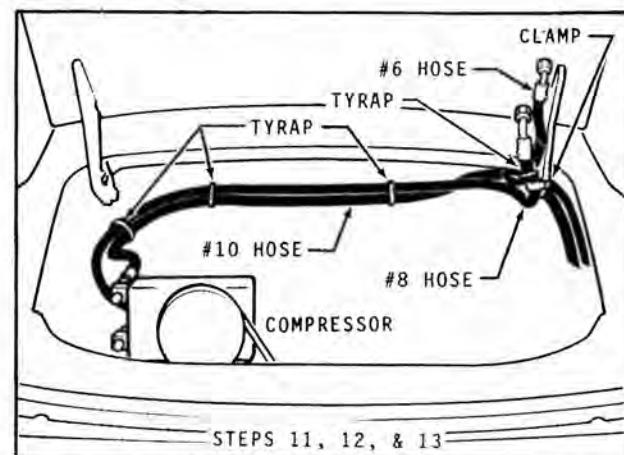
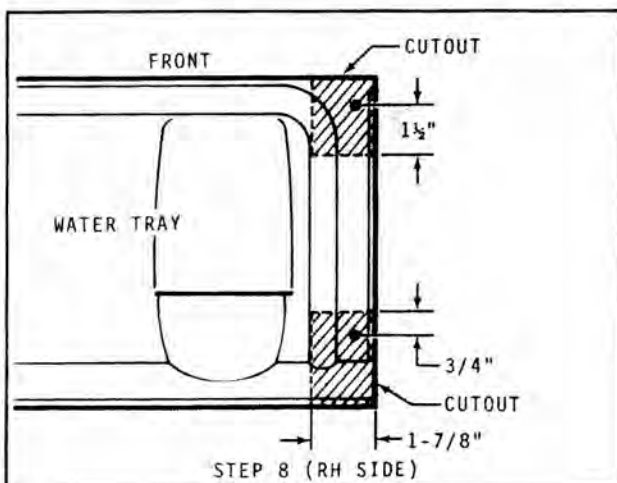


ENGINE COMPARTMENT (CONDENSER)



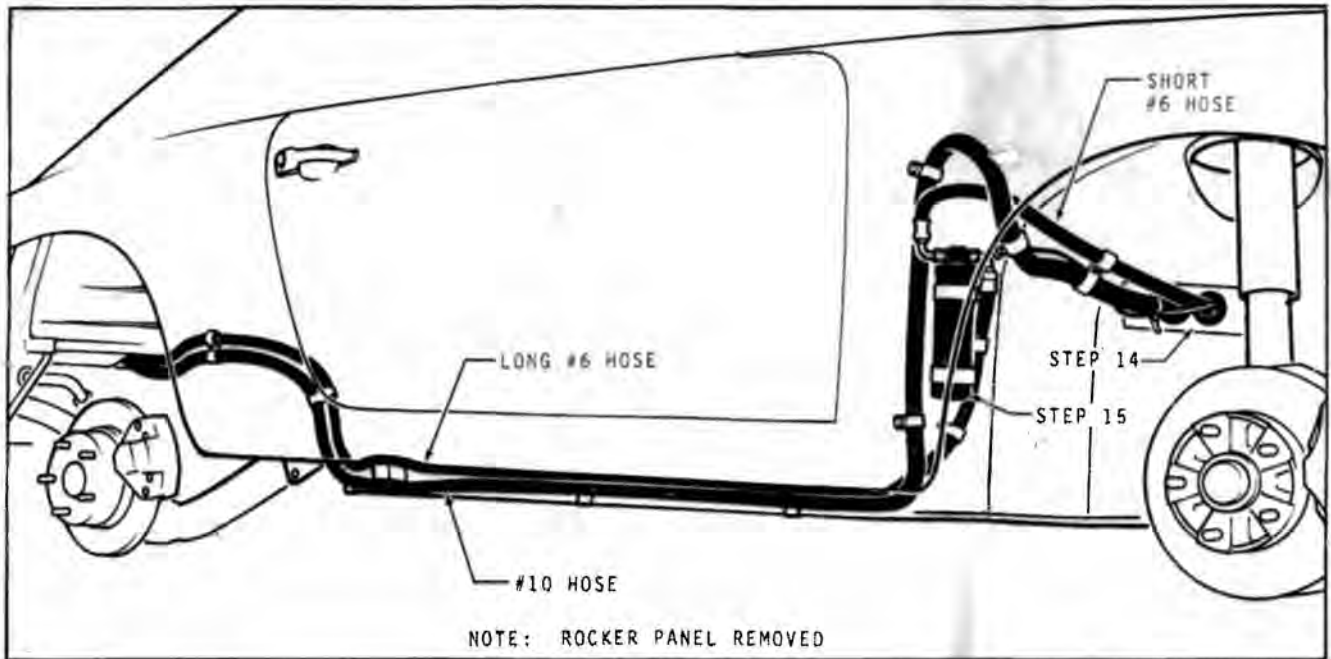
- 1 - Remove deck lid water tray.
- 2 - Remove and discard center rear hex spacer. Remove 4mm nut from lower dashboard trim (which will be discarded) and install on stud. Then cut off protruding portion of stud.
- 3 - Install three water tray brackets on front hex spacers with original bolts and washers.
- 4 - Secure two-piece hanger bracket loosely over center deck lid brace with two #8 x 1/2" sms.
- 5 - Lay condenser in place. Insert rods in original deck lid holes at front and insert at rear in hanger bracket.
- 6 - Secure coil through hanger bracket with #8 x 1-1/2" sms and tinnerman clip.
- 7 - Align coil and tighten hanger bracket.

- 9 - Reinstall water tray. Use three #8 x 1/2" sms at front and original bolts and washers at rear.
- 10 - Remove right side wheels and rocker panel.



- 11 - Connect straight end of #8 hose to compressor. Route behind engine and connect to 45° end to condenser.
- 12 - Connect 90° end of long #6 hose to condenser. Route forward through opening in right front side of engine compartment.
- 13 - Connect straight end of #10 hose to compressor. Route behind engine and out with #6 hose.

- 8 - Modify water tray and install bracket with two #8 x 1/2" sms.



- 14- Cut out gas heater vent.
- 15- Install receiver-drier in rear of right front wheel well with two #8 x 5/8" sms. Point inlet towards center of car with sight glass facing front.

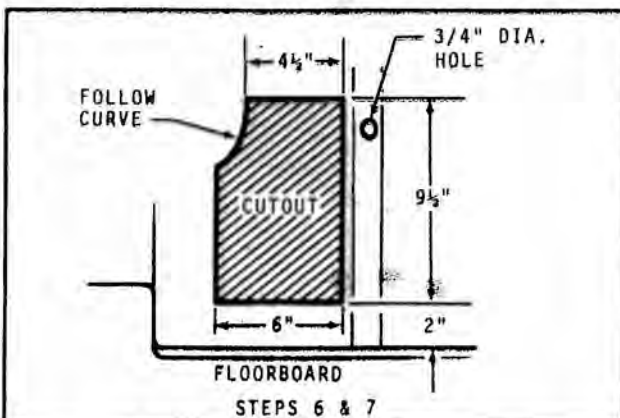
Note:

With optional oil cooler installed, receiver-drier must be installed farther forward. It is important to check for adequate clearance with wheel.

- 16- Route #10 and #6 hoses as shown. Connect #6 hose to "IN" side of receiver-drier. Connect 90° end of short #6 hose to other side.
- 17- With grommets installed route #10 and #6 hoses through vent cover and into heater well.
- 18- Secure vent cover with two #8 x 5/8" sms.
- 19- Pass long WHITE wire from evaporator (placed in luggage compartment) back to engine compartment along with #10 hose. Connect it to clutch wire.
- 20- Clamp hoses as shown.

PASSENGER COMPARTMENT (EVAPORATOR)

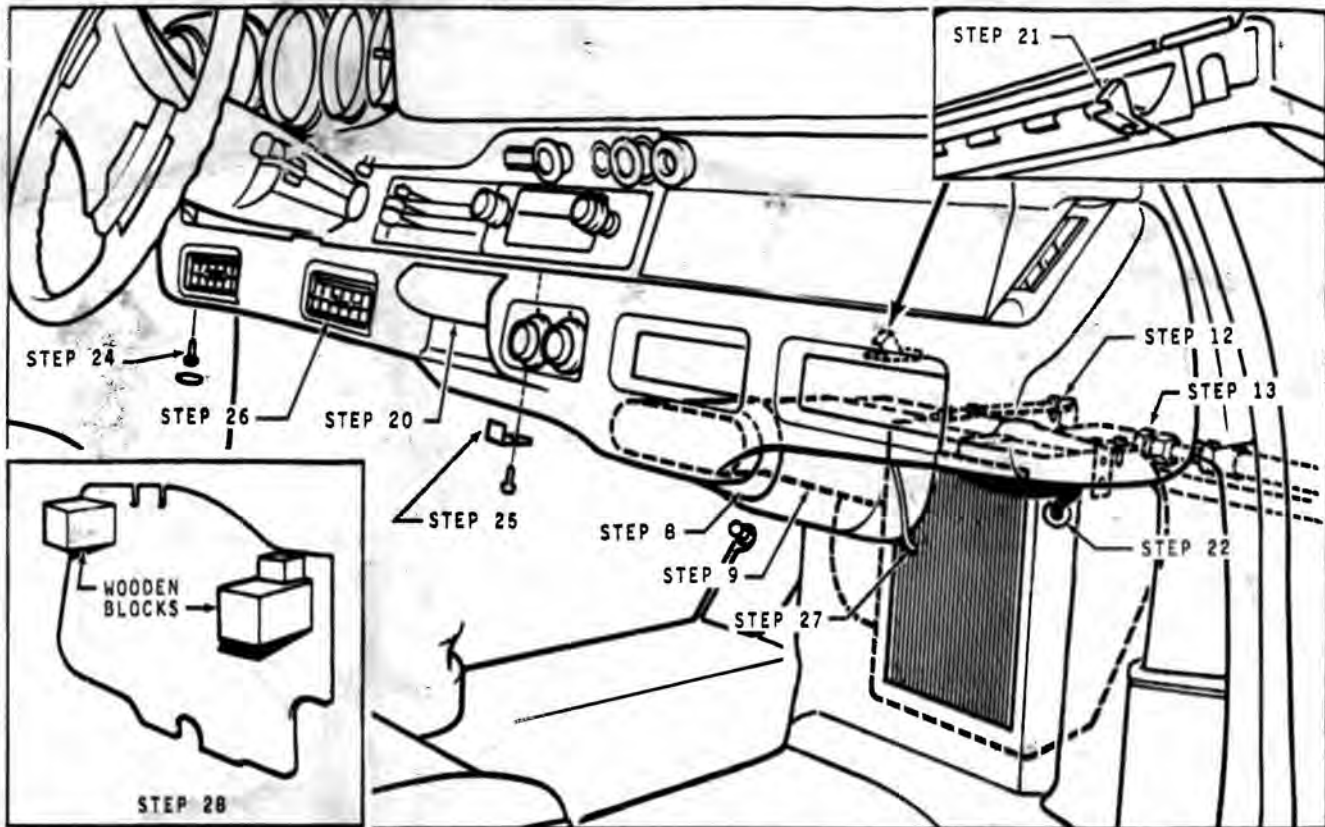
- 1 - Cut off protruding bolt in bottom of heater well.
- 2 - Cut off 2" of drain pipe.
- 3 - Make tight seal around steering shaft with two polyfoam blocks.
- 4 - Inside car peel off carpet on right side of firewall.
- 5 - Remove toe board.



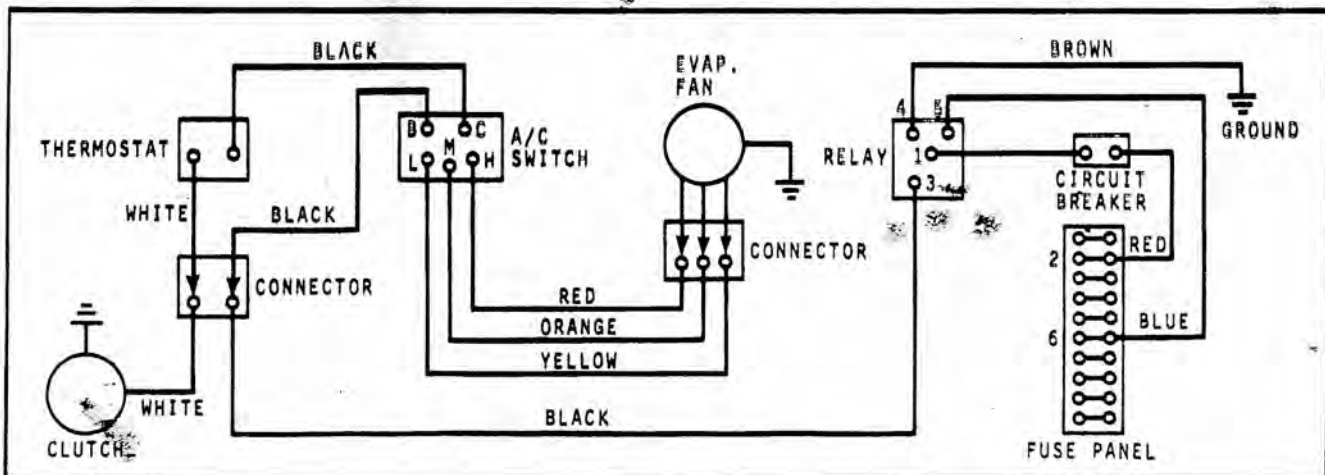
- 6 - Cut away firewall as shown. Retape existing wiring above cut-out.
- 7 - Drill 3/4" dia. hole in firewall.

- 8 - Place flange duct on bulkhead contour inside car. Scribe around outside. Drill a 2-1/2" hole in each radius and cut out metal in between to make one large hole.
- 9 - Place transition duct through smaller cut-out.
- 10- Place flange duct over transition duct.
- 11- Remove bracket and place evaporator in well. Pull transition duct over fan opening.
- 12- Reinstall bracket on evaporator. Secure evaporator to body with three #8 x 5/8" sms grounding fan motor at same time.
- 13- Secure #6 and #10 hoses to evaporator. Wrap #10 hose connection with prestite tape.
- 14- Begin to evacuate system now.
- 15- Install relay and bracket next to fuse panel with two #8 x 5/8" sms.
- 16- Ground BROWN wire to existing fuse panel screw.
- 17- Connect RED wire to no. 2 and BLUE wire to no. 6 terminal on fuse panel.
- 18- Tyrap wiring harness to fuse panel.
- 19- Remove and discard lower dashboard trim on each side of ashtray.
- 20- Install ashtray cover under existing cover using existing nuts.

PASSENGER COMPARTMENT (EVAPORATOR)



- 21- Install glove box stop with #8 x 1/2" sms.
- 22- With bezel assembly on floor route switch wiring through hole. Install grommet.
- 23- Lift bezel and insert over flange duct.
- 24- With bezel aligned secure through access holes with four #8 x 5/8" sms. Install caps over access holes.
- 25- Install bezel bracket with #8 x 5/8" sms to left of fan switch so that it presses top of bezel to dashboard.
- 26- Press louvers into bezel openings.
- 27- Install thermostat capillary tube jacket. Insert capillary tube into coil 1/2" away from left flange and between 4th and 5th coil tube down from top. Insert 4" deep at a 45° angle.
- 28- Attach wooden blocks on back of toe board with #8 x 1" flathead screws.
- 29- Reinstall carpet.
- 30- Plug fan motor connector and fan switch connector together.
- 31- Plug WHITE wire to thermostat.
- 32- Reconnect battery.
- 33- With unit on, tighten clutch 15-20 foot pounds.
- 34- Reinstall luggage compartment carpet.
- 35- Affix "COOL" decal on window.
- 36- Affix "Maximum Load" sticker next to tire pressure sticker. This is required by Federal law.
- 37- Affix "Service Sticker" in engine compartment where it can be easily seen.
- 38- If evacuation is complete charge system with 26 ozs. of R-12. Leave lid down when charging so R-12 will flow properly.
- 39- Complete air conditioner warranty registration card and record evaporator serial number on R.O.
- 40- Reinstall wheels and rocker panel.





VOLKSWAGEN PRODUCTS CORP., FT. WORTH, TEXAS 76106

MODEL

PACKING LIST FOR AIR CONDITIONER

ZPW
203 912

Installation of this air conditioner must be made by authorized installers in accordance with installation instructions published by Volkswagen Products Corporation.

QTY.	PART NO.	DESCRIPTION
1	ZPW 423 005	Evaporator
1	ZPW 409 007	Bezel Assembly
1	ZPW 436 311	Condenser
1	ZPW 436 100	Compressor
1	ZPW 436 130	Clutch
1	ZPW 436 200	Compr. Mount
1	ZPW 409 405	Hose, Cond./Receiver-Drier
1	ZPW 409 410	Hose, Evap./Receiver-Drier
1	ZVW 402 402	Hose, Compr./Cond.
1	ZPW 436 415	Hose, Compr./Evap.
1	ZVW 218 170	Maximum Load Sticker
1	ZVW 401 611	Window Decal
1	ZVW 401 790	Hang Tag
1	ZPW 436 750	Warranty Registration Card
1	ZPW 436 736	Service Sticker
1	ZPW 436 690	Loose Parts Sack contains:
1	ZVW 215 110	Disch. Service Valve
1	ZVW 215 115	Suct. Service Valve
1	ZPW 436 424	Receiver-Drier
1	ZPW 409 004	Air Distributor
1	ZPW 409 015	Air Distributor Flange
2	ZPW 409 731	Steering Shaft Seal
4	ZPW 423 076	Louver
-1	ZPW 436 221	Beit
1	ZPW 436 241	Drive Assembly
1	ZPW 436 696	Parts Sack "C" contains:
2	ZVW 213 579	R-D Clamp
11	ZVW 213 714	#10 Hose Clamp
10	ZVW 225 701	#6 Hose Clamp
1	ZVW 226 402	#8 Hose Clamp
4	ZVW 226 608	Tyrap
2	ZVW 215 711	#6 Hose Grommet
2	ZVW 215 714	#10 Hose Grommet
1	ZVW 231 621	Wiring Grommet
1.5	ZAW 251 676	Capillary Tube Jacket
1	ZVW 227 545	Relay Bracket
1	ZPW 409 099	Vent Cover
1	ZPW 436 325	Cond. Mounting Plate
2	ZPW 436 326	Cond. Mounting Rod
1	ZPW 436 327	Cond. Bracket
		Misc. Hardware
1	ZPW 436 697	Parts Sack "E" contains:
1	ZPW 236 075	Ash Tray Cover
1	ZPW 236 605	Glove Box Door Stop
4	ZVW 401 610	Bezel Cap
1	ZPW 409 070	Bezel Support
2	ZPW 409 670	Toe Board Spacer
		Misc. Hardware
1	ZPW 436 698	Parts Sack "M" contains:
		Misc. Hardware

091775

ZPW 436 761

This air conditioner and components have been carefully inspected when packed. Should any discrepancy exist between the contents of this box and this list, please complete and return this form to your supplier with comments. Do not use this form for transit damage or damage caused through installation.

Air Conditioner Serial No. _____

Date of Installation _____

Name of Supplier _____

Name of Installing Company _____

Signature _____ Date _____